

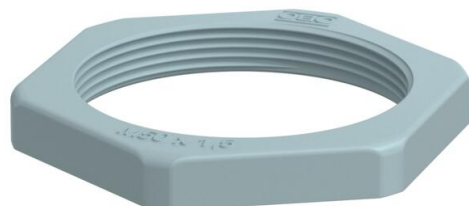
Technical data sheet

Locknut, metric thread, silver grey

Item number: 2048817



Locknut to DIN 46319, with metric thread IEC 423.



PA Polyamide

Master data

| | |
|------------------------------------|--------------------------|
| Item number | 2048817 |
| Type | 116 M50 SGR PA |
| Description 1 | Locknut |
| Manufacturer | OBO |
| Dimension | M50 |
| Colour | Silver grey; RAL 7001 |
| Material | Polyamide |
| Smallest sales unit | 25 |
| Unit of quantity | Piece |
| Weight | 0.903 kg |
| Weight unit | kg/100 pc. |
| CO2 Footprint (GWP) Cradle-to-Gate | 0,0457 kg CO2e / 1 Piece |

Technical data sheet

Locknut, metric thread, silver grey

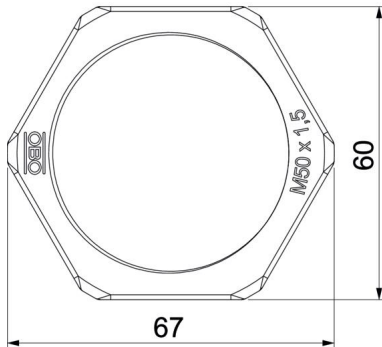
Item number: 2048817



Dimensions



| | |
|-------------|-------|
| Dimension E | 68 mm |
| Dimension L | 8 mm |



Technical data

| | |
|-------------------------------|-----------|
| Thread | M50 x 1,5 |
| Thread type | Metric |
| Nominal thread size metric/PG | 50 |
| Fibre-glass reinforced | no |
| Halogen-free | yes |
| Impact-resistant | no |
| WAF | 60 |